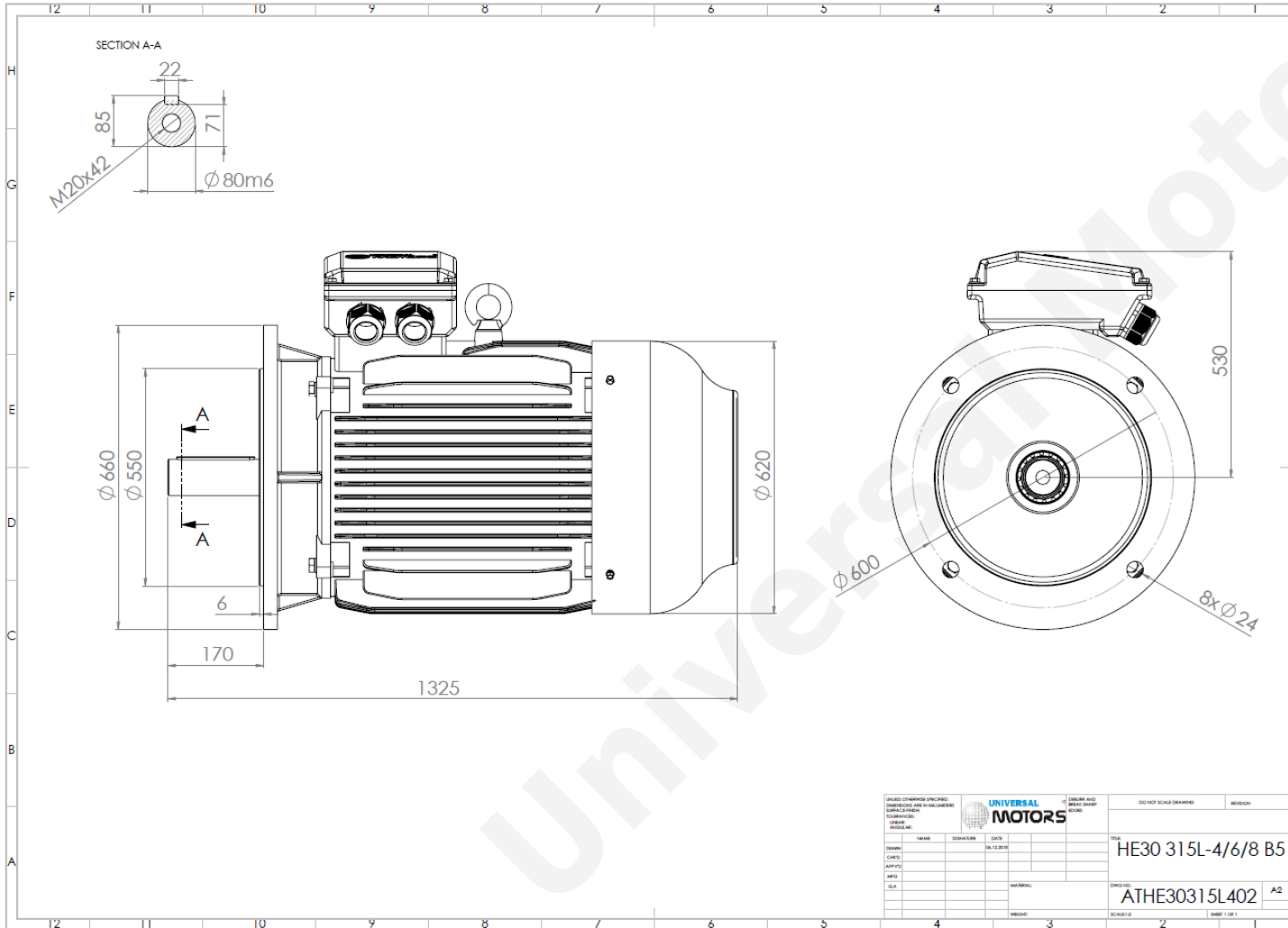




TECHNICAL DATA

Three Phase Electric Motors - Cast Iron Frame
 HE30 315L-4 IE2
 200 kW / 270 Cv
 1480 RPM



Motor type:	HE30 315L-4 IE2
Output:	200 kW / 270 Cv
Speed (min ⁻¹):	1480 RPM
Frequency:	50 Hz
Voltage:	400 V
Current:	341 A
Power factor (Cos Ø):	0.89
Poles:	4
Insulation class:	F
Temperature rise Class:	B
Efficiency 50%:	94.0 %
Efficiency 75%:	95.4 %
Efficiency 100%:	95.1 %
Torque:	1291 N.m
Tstarting/Tnominal:	2.0
Istarting/Inominal:	7.1
Tmaximum/Tnominal:	2.2
Noise:	77 Db(A)
Weight:	1150 Kg
Bearing DE:	NU 319
Bearing NDE:	6319 C3

UNIVERSAL MOTORS		DO NOT SCALE DRAWING		REVISION
DESIGN	NAME	ORGANIZATION	DATE	FILE
CHECK			04.10.2016	HE30 315L-4/6/8 B5
APPROV				
REP				
ELA				
				ATHE30315L402
				A2

Regime - S1 **Altitude - 1000m** **Environment Temperature - 40°C**

CONTACTS:
 UNIVERSAL MOTORS Tel: +351 252 299 080
 Rua de São Brás,745 Fax: +351 252 299 089
 4480-782 VILA DO CONDE Mail: geral@universalmotors.pt

* References applied only in the UK